

**City of Highland  
Temporary Service  
For Overhead Services**

1. Service Timber: 4" x 4" minimum  
6" x 6" (or pole)  
Butt treated for 4'.

2. Service weather cap.

3. #10 Copper minimum conductor in conduit.  
Conductor tails of 2' for making connections.

4. Metal nipples.

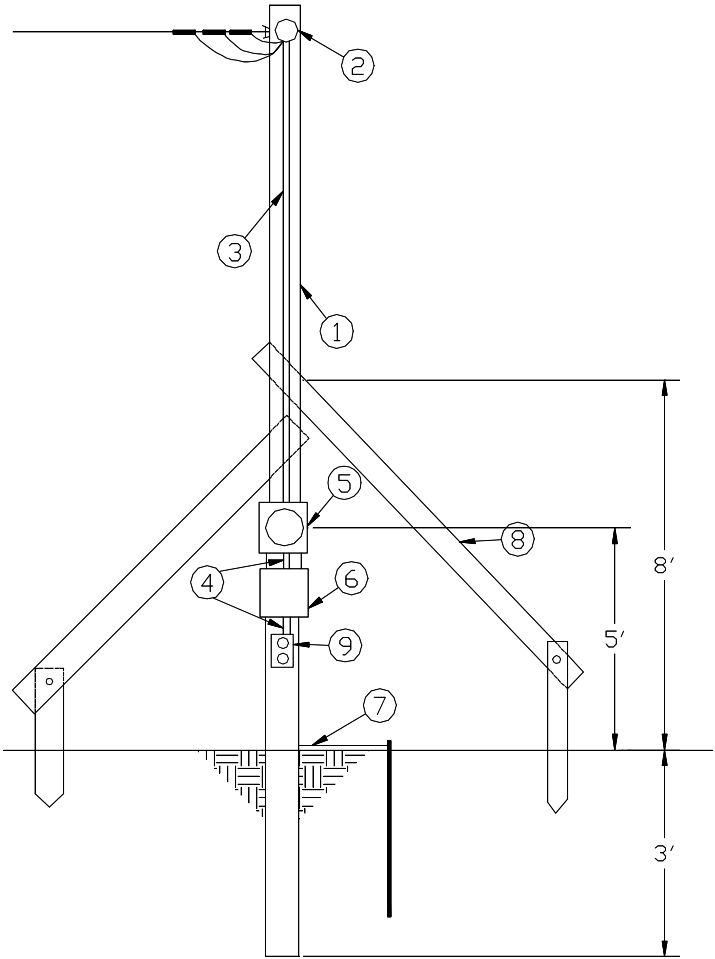
5. Approved meter socket.

6. Weatherproof fused switch 30 amp  
minimum (customer locked).

7. Ground connection:  
8' ground rod, #6 copper ground  
conductor and clamps.

8. 1" x 6" x 10' or 2" x 4" x 10' braces  
to support timber or pole.

9. Weatherproof grounded receptacle(s).  
(G.F.C.I. recommended)



**All of the above material supplied by contractor/owner. City will provide service wires to temporary service and make necessary connections to tails.**